

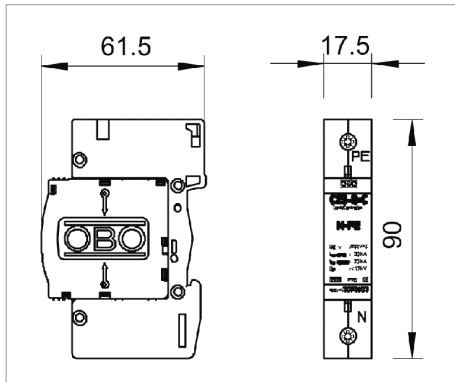
## Technical data sheet

### Surge arrester, 1-pole NPE



C 25-B+C/..+NPE: Plug-in total discharge gap for use between neutral lines (N) and protector (PE). Suitable for use in combination with:

- CombiController Type V 25-B+C
- SurgeController Type V 20-C
- SurgeController Type V 10-C

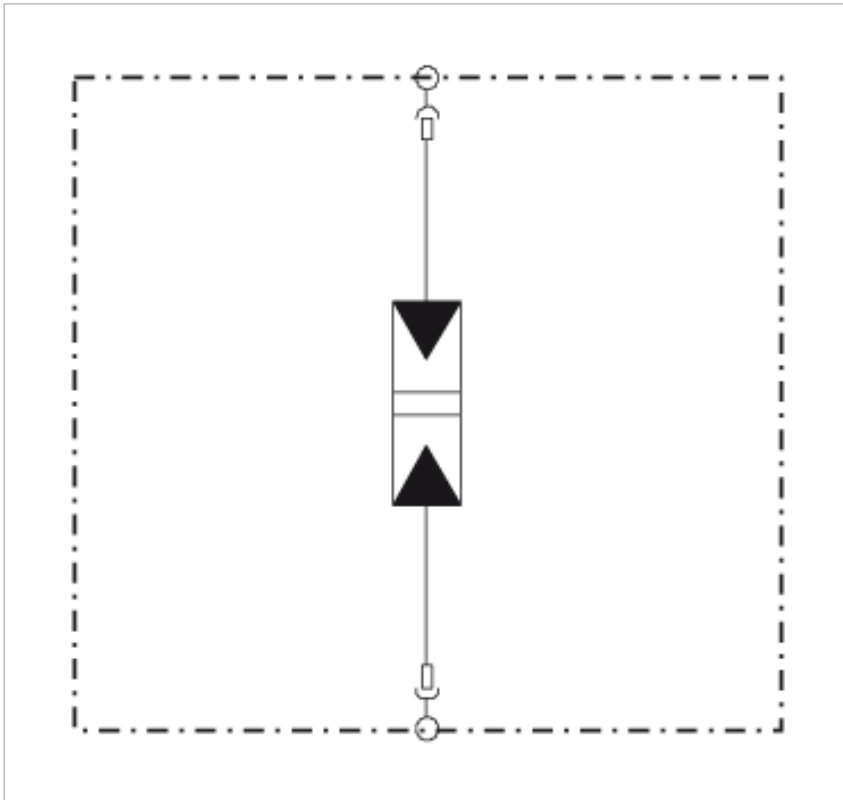


Type	Maximum continuous voltage V	Version	Pack Units	Weight kg/100 pc.	Art.-No.
C 25-B+C 1	255	NPE	1	12.500	5095606

**G** /pc.



## Connection-/Circuit diagram



Article number			<b>5095606</b>
Nominal voltage	$U_N$	V	230
SPD to EN 61643-11			Type 1+2
SPD to IEC 61643-1			class I+II
LPZ			0?2
Lightning impulse current (10/350)	$I_{imp}$	kA	25
Nominal discharge surge current (8/20)	$I_n$	kA	30
Arrester surge current (8/20) [total]		kA	30
Maximum discharge current	$I_{max}$	kA	50
Voltage protection level	$U_p$	kV	<1,2
Response time	$t_A$	ns	< 100
Follow current quenching capacity $I_{peak}$	$I_{fi peak}$	kA	0.1
Temperature range	?	°C	-40
Division unit TE (17.5 mm)			1
Protection rating			IP 20
Connection cross-section, rigid		mm <sup>2</sup>	2.5
Connection cross-section, multi-wire		mm <sup>2</sup>	2.5

## Connection-/Circuit diagram

Connection cross-section, flexible

mm<sup>2</sup>

2.5

## Legend



Combination protection device made of Type 1 and Type 2



Transition from LPZ 0 to LPZ 2



Communautés Européennes, EC declaration of conformity according to EC directives



Russia, GOST The State Committee for Standards



5-year warranty